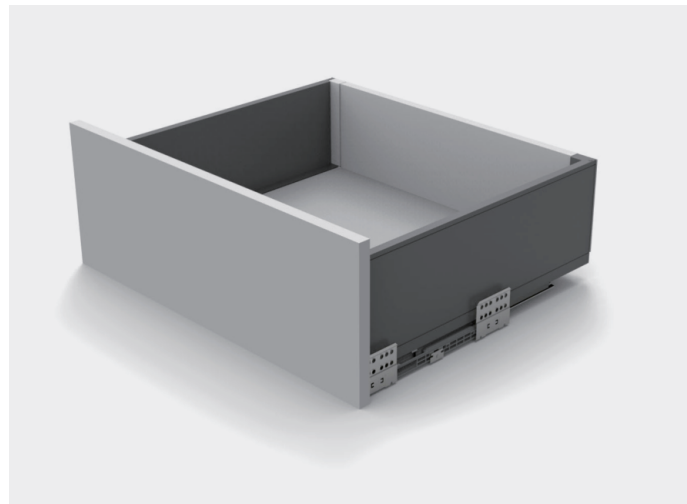


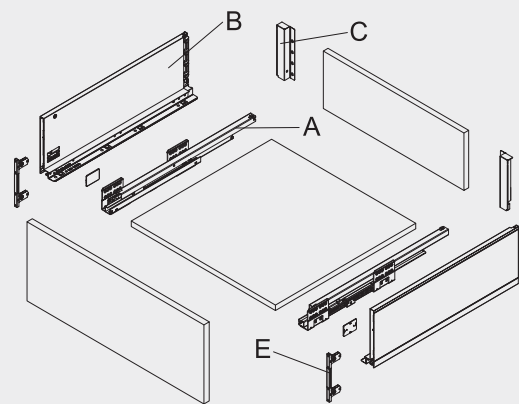
DESCRIPTION

- Maximum load: 40KG
- Lifespan: 80,000 times
- Drawer height: 167mm
- Drawer length: 270, 300, 350, 400, 450, 500, 550mm
- Applicable plate thickness: 16mm
- Main materials: cold rolled sheet, galvanized sheet
- Finish: Matt Black, White Silver, Iron Grey, Light Grey
- 2D adjustment: ±1.5mm up and down, ±1.5mm left and right



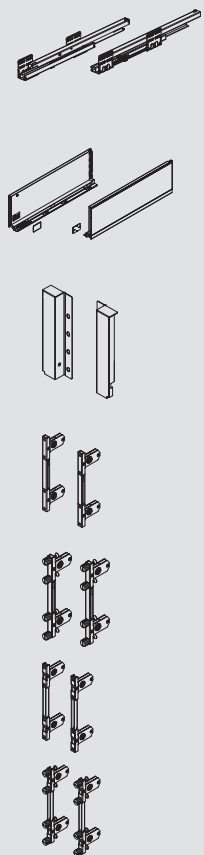
Product Parameters

Components view

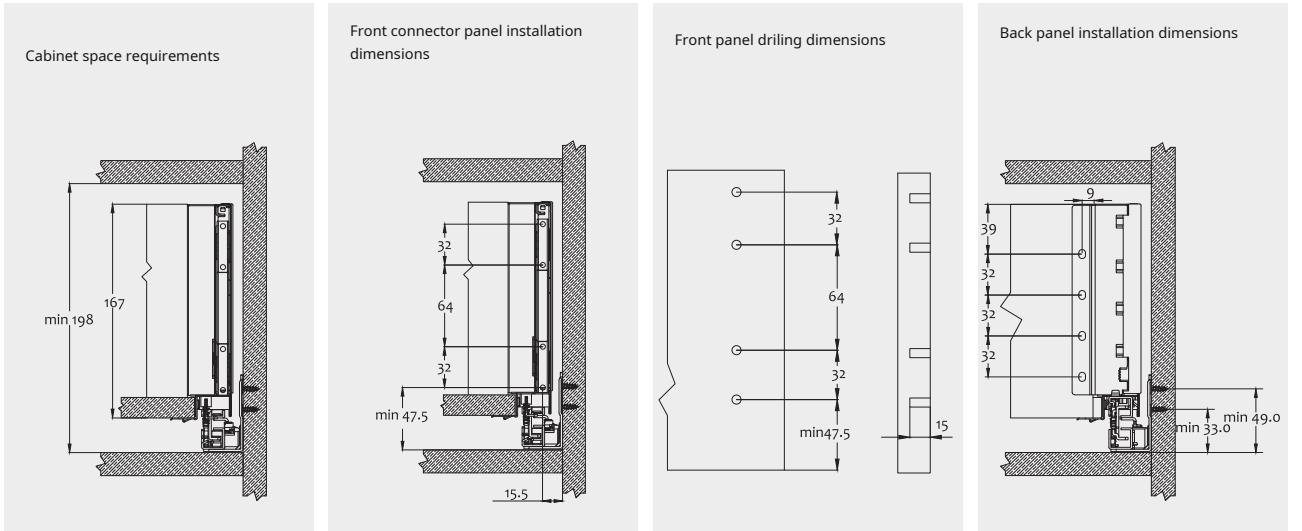


- A:**
Drawer slide L/R Material: SECC Loading capacity: 40kg
Specifications/ NL: 270/ 300/ 350/ 400/ 450/ 500/ 550mm
- B:**
Side wall L/R
Material: cold-rolled steel Specification/ NL: 270/ 300/ 350/ 400/ 450/ 500/ 550mm Surface treatment: matt black, white silver, iron grey, light grey Surface nish: Black, White, Dark gray, Light gray
- C:**
Back panel connector L/R Material: cold-rolled steel Surface treatment: matt black, white silver, iron grey, light grey Surface nish: Black, White, Dark gray, Light gray

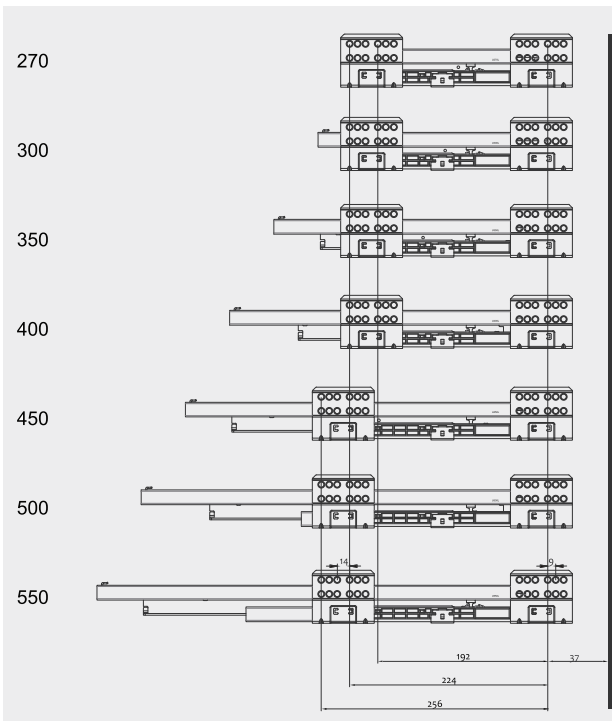
- E: Front connector**
Material:SECC +plastic /Material: SECC + plastic
Clip on front connector Material:SECC +plastic / Material: SECC + plastic



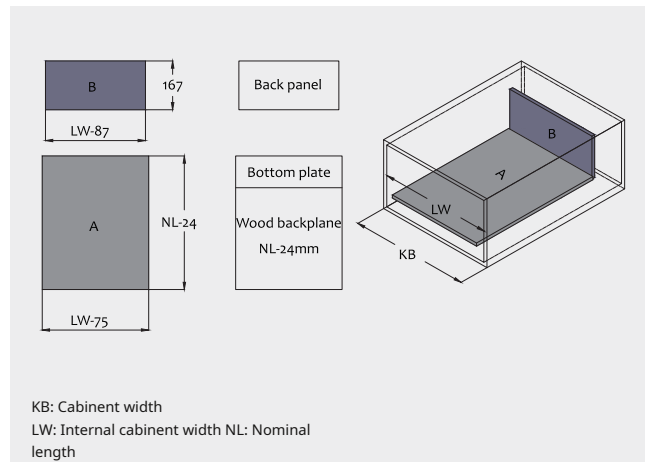
Mounting



DRAWER SLIDE INSTALLATION DIMENSIONS



CUTTING DIMENSIONS FOR BACK PANEL



SPACE REQUIRED

NOMINAL LENGTH(MM)

