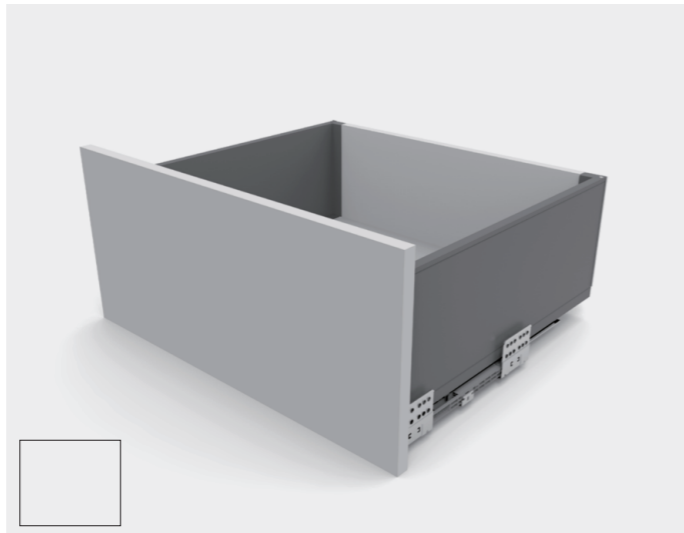




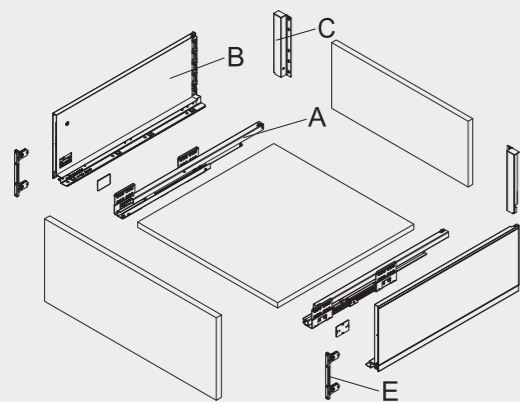
DESCRIPTION

- Maximum load: 40KG
- Lifespan: 80,000 times
- Drawer height: 199mm
- Drawer length: 270, 300, 350, 400, 450, 500, 550mm
- Applicable plate thickness: 16mm
- Main materials: cold rolled sheet, galvanized sheet
- Finish: Matt Black, White Silver, Iron Grey, Light Grey
- 2D adjustment: ± 1.5 mm up and down, ± 1.5 mm left and right



Product Parameters

Components view



A:
Drawer slide L/R Material: SECC Loading capacity: 40kg

Specifications/ NL: 270/ 300/ 350/ 400/ 450/ 500/ 550mm

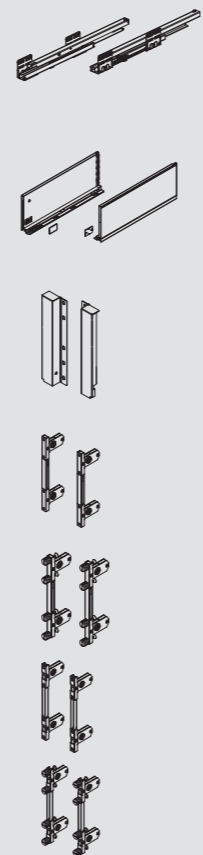
B:
Side wall L/R
Material: cold-rolled steel Specification/ NL: 270/ 300/ 350/ 400/ 450/ 500/ 550mm Surface treatment: matt black, white silver, iron grey, light grey Surface nish: Black, White, Dark gray, Light gray

C:
Back panel connector L/R Material: cold-rolled steel Surface treatment: matt black, white silver, iron grey, light grey Surface nish: Black, White, Dark gray, Light gray

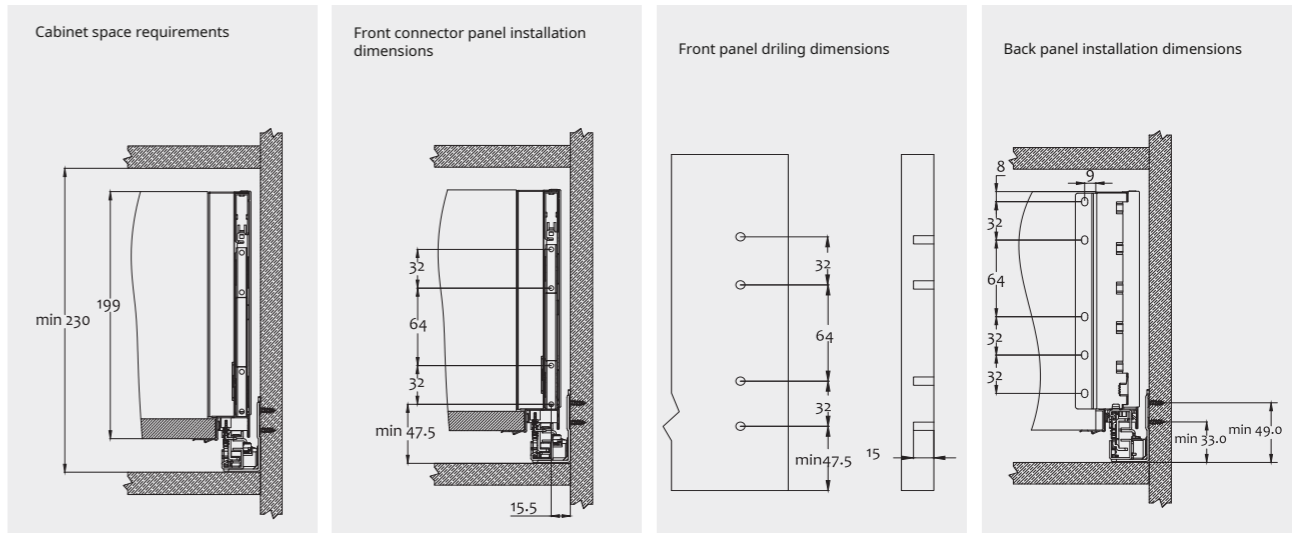
E: Front connector

Material:SECC +plastic /Material: SECC + plastic

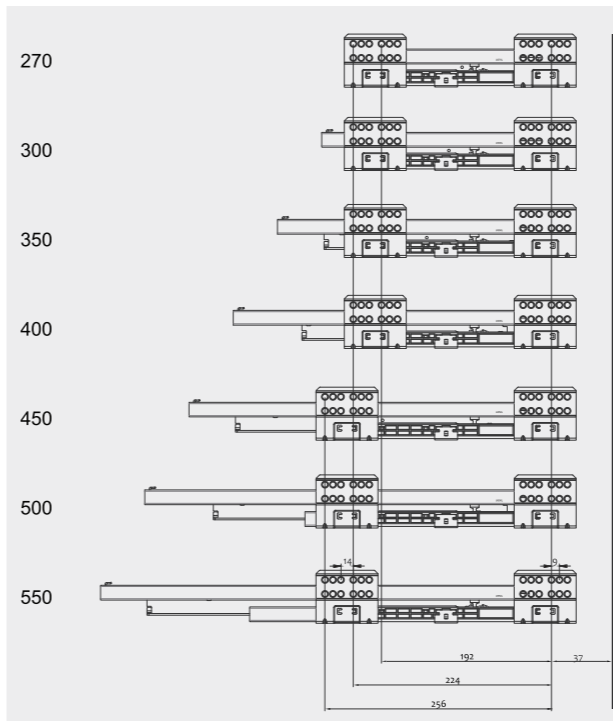
Clip on front connector Material:SECC +plastic /Material: SECC + plastic



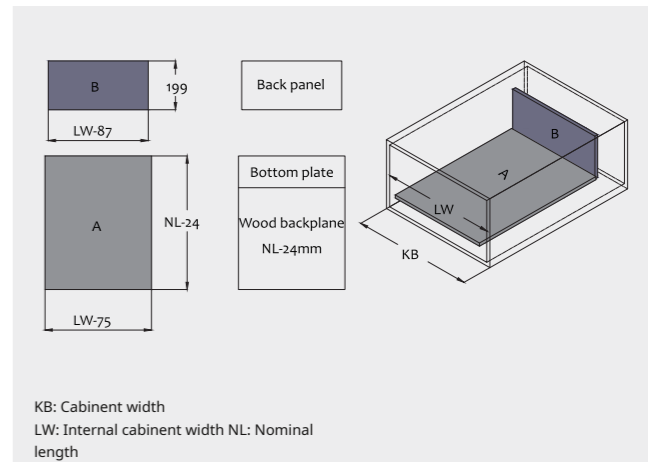
Mounting



DRAWER SLIDE INSTALLATION DIMENSIONS



CUTTING DIMENSIONS FOR BACK PANEL



SPACE REQUIRED

NOMINAL LENGTH(MM)

