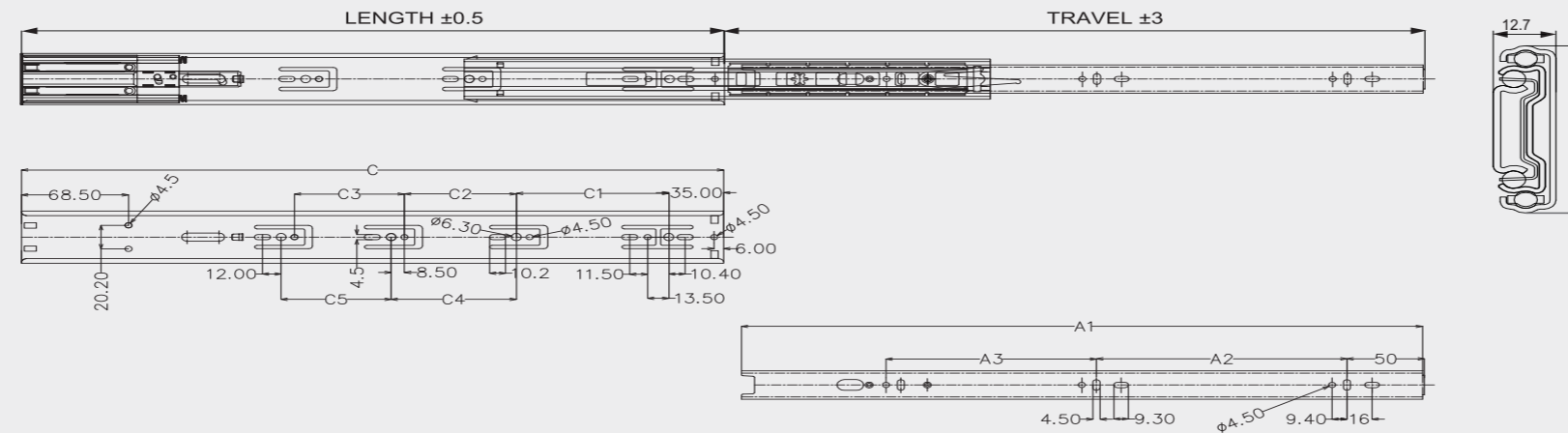


DESCRIPTION

- Max. loading: 35KG
- Life guarantee: 50,000 cycles
- Width: 45mm
- Length: 250-600mm
- Main material: cold-rolled steel
- Material thickness: 1.2/1.2/1.5mm
- Surface finish: Zinc-plating, Black electrophoresed



PRODUCT PARAMETERS



Soft Close Ball Bearing Slides

Nominal length	Travel	Holes and other sizes									
		A1	A2	A3	C	C1	C2	C3	C4	C5	
250	155	235	90	/	248.5	/	/	/	/	/	
300	230	285	64	76	298.5	96	/	/	/	/	
350	300	335	96	94	348.5	72.5	55.5	/	64	/	
400	380	385	128	112	398.5	128	55.5	/	64	/	
450	445	435	160	134.4	448.5	128	96	/	104.5	/	
500	495	485	192	137.4	498.8	128	96	64	104.5	64	
550	545	535	192	201.4	548.5	128	96	96	104.5	96	
600	595	585	224	201.4	598.5	128	96	128	104.5	128	