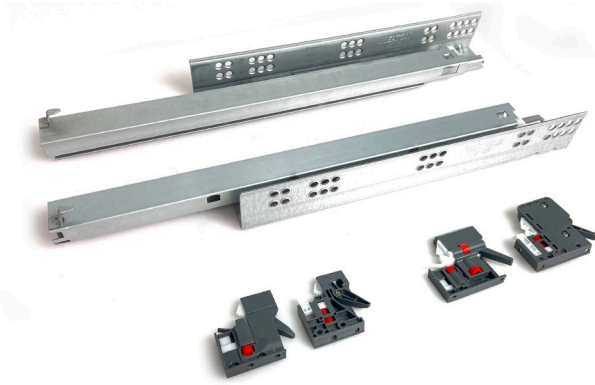
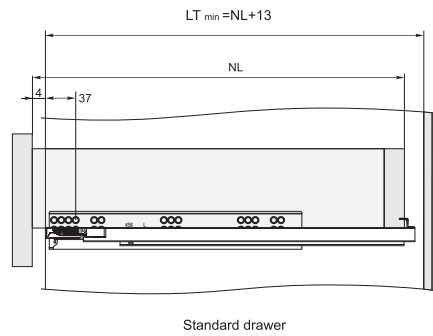
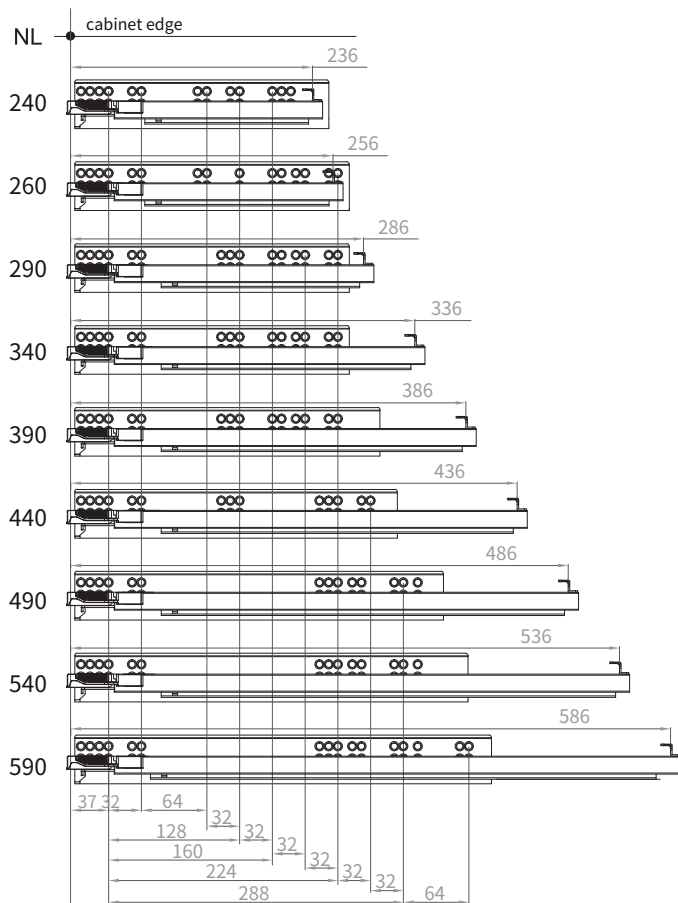


Technical specifications:

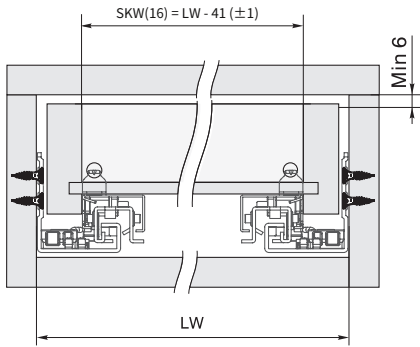


- Main material: galvanized sheet
- Maximum load: 30kg
- Service life: 50,000 cycles
- Application: opening and closing of various drawers
- Applicable side panel thickness: Maximum 16mm

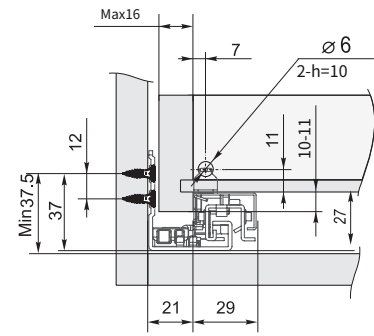
Installation dimensions



LT - Cabinet inner depth
NL - Nominal slide length

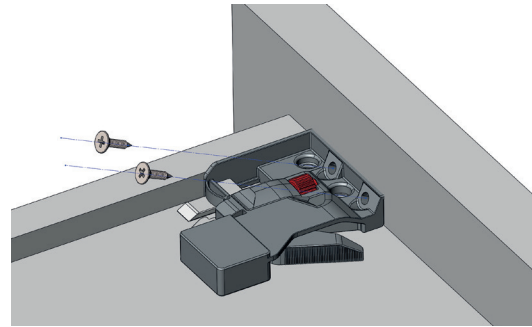
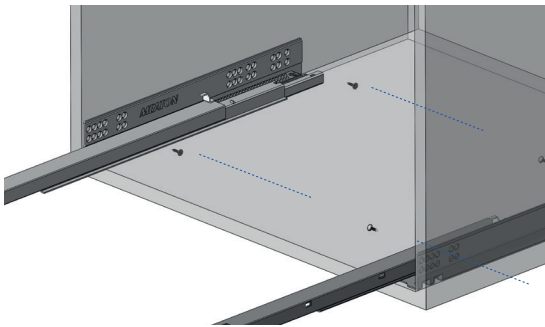


LW - Cabinet width / Cabinet inner width SKW (16)



1. Fix the left and right rails to the cabinet according to the installation holes

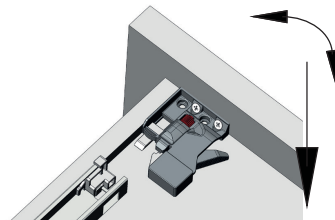
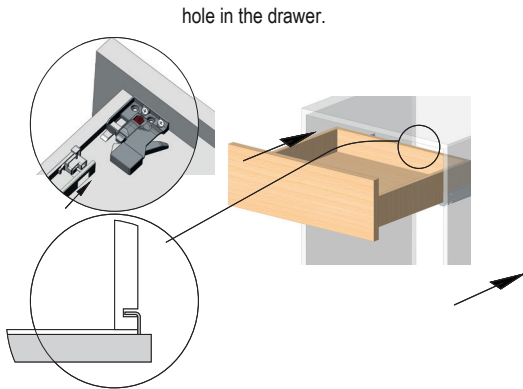
2. Install left/ right handle in the front of the drawer



3. Push the drawer with the left and right handles locked flat onto the fixed slide rail.

4. Adjust the front panel with plastic wheel on the handle, 0-2.5mm

Note: The tail hook of the slide rail should be hooked into the pre-drilled installation hole in the drawer.



5. Push the handle lever to unlock the drawer, then pull out the drawer

